

## GM-2000RT

### SHDSL router

#### Features

##### ✓ Full remote control

Allows a DSLAM or remote SHDSL CPE (in point to point applications) to do remote management over an EOC (Embedded Operations Channel). This can be used to configure critical settings, such as IP addresses, or perform loopback tests. An installer or administrator can easily manage the near and far end, reducing the need for vendor truck roll, and end-user downtime.

##### ✓ Economic IP Sharing

The SHDSL router allows multiple a users to access the Internet from a single ISP account. In addition, multiple IP mapping is provided.

##### ✓ Auto Configuration

The auto configuration function enables installers to configure all SHDSL CPE devices on the LAN, in one shot. After editing the script file in text format, installers just need to download it to the SHDSL CPE, simplifying configuration procedures.

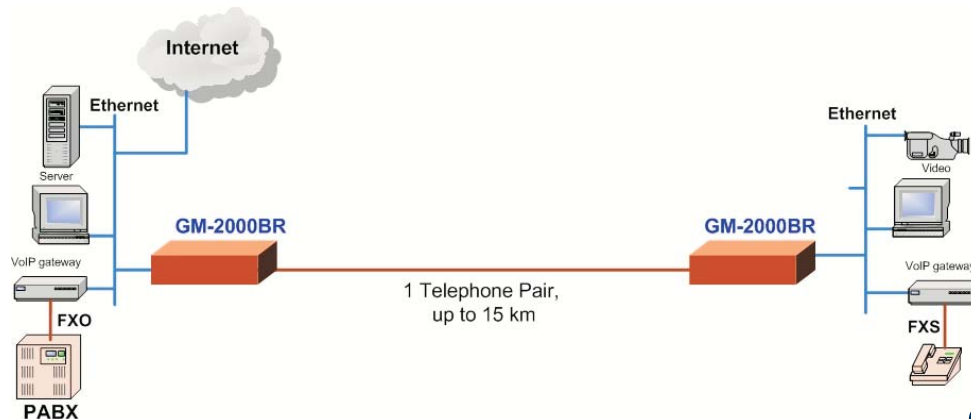
##### ✓ Auto Upgrade

Upgrade all SHDSL CPEs on the LAN to the latest version in one shot, with the auto upgrade function. This feature saves time and labor.

##### ✓ Remote Upgrade

The remote upgrade capability allows users to get the latest version of software from the Internet, and saves vendors the need for truck roll.

#### Point-to-point application



#### Description

The GM-2000BR SHDSL modem and GM-2000RT SHDSL router are highly suited to the specific needs of multiple users in small/home offices, or remote/branch offices. They have a symmetrical transmission speed of up to 2.3 Mbps through a SHDSL connection, over one ordinary telephone line. In addition, they support up to 32 concurrent virtual connections to multiple destinations.

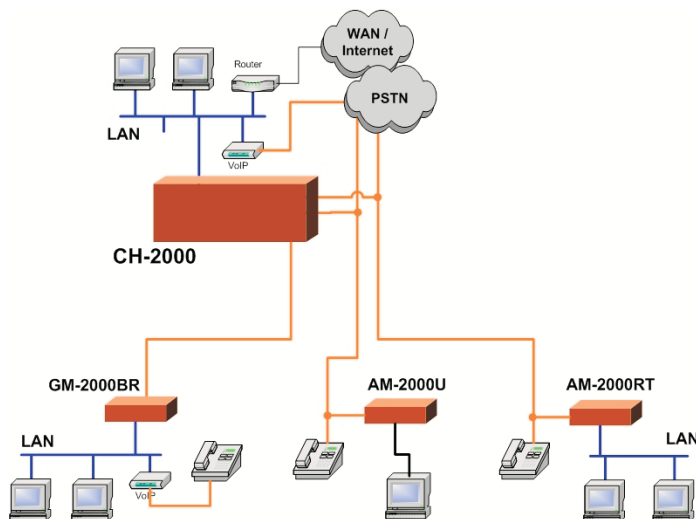
The GM-2000BR SHDSL modem and GM-2000RT SHDSL router can be used for a variety of applications, including video conferencing, remote training, E-commerce, and other multimedia applications. Configuration and monitoring can easily be accomplished from a Web browser. Full remote control capabilities simplify management at both the near end, and the far end.

The GM-2000RT SHDSL router has full routing capabilities to segment/route IP protocol and it is capable of bridging other protocols. It can also be configured in either server or client mode providing point-to-point connectivity between two sites. The Multi-NAT function provides an economic way for IP address sharing for both DSLAM, and point-to-point applications.

# GM-2000BR

## SHDSL modem

### DSLAM application



## Product Specifications

### WAN Interface (One SHDSL port)

|                 |                                  |
|-----------------|----------------------------------|
| SHDSL standard  | ITU-T G.991 .2 Annex A & Annex B |
| Encoding scheme | TC - PAM                         |
| Line rate       | Per ITU-T G.991.2 (SHDSL)        |
| Data rate       | N x 64 Kbps, N =1 -36            |

### Encapsulation

|                           |                     |
|---------------------------|---------------------|
| Multi-protocol over AAL5  | RFC 2684 (RFC 1483) |
| PPP over AAL5             | RFC 2364            |
| IP over AAL5              | RFC 1577            |
| PPP over Ethernet         | RFC 251 6           |
| IEEE 802. 1q pass-through | Yes                 |

### ATM Attributes

|                   |                  |
|-------------------|------------------|
| ATM service class | UBR/CBR/VBR      |
| VCs               | 32               |
| ATM UNI support   | UNI3.1/4.0, ILMI |
| OAM F4 / F5       | Yes              |

### Management

|                       |             |
|-----------------------|-------------|
| Console port          | RS-232/DB-9 |
| SNMP                  | Yes         |
| Telnet                | Yes         |
| Web- based management | Yes         |

|                                      |                                       |
|--------------------------------------|---------------------------------------|
| Fully remote control by EOC          | Yes                                   |
| Configuration backup and restoration | Yes                                   |
| LED Indicators                       | Power, Alert, LAN status, SDSL status |

### Local interface (One Ethernet port)

|                                   |                     |
|-----------------------------------|---------------------|
| Standard                          | IEEE 802.3 10Base-T |
| Transparent bridging and learning | Yes                 |

### Routing functions (GM-2000RT only)

|                          |     |
|--------------------------|-----|
| IP static route          | Yes |
| RIP and RIPv2            | Yes |
| ARP                      | Yes |
| DNS, NAT/PAT, DHCP/BOOTP | Yes |
| IGMP Proxy               | Yes |

### Security functions

|                        |                                   |
|------------------------|-----------------------------------|
| Packet Filtering       | Yes                               |
| PAP, CHAP              | Yes                               |
| Advanced functions (*) | Stateful Packet Inspection, IPSec |

### Power Supply

|                        |                    |
|------------------------|--------------------|
| External power adapter | 110 VAC or 220 VAC |
|------------------------|--------------------|

### Operating Conditions

|                   |                                   |
|-------------------|-----------------------------------|
| Temperature       | 0 -50 degrees Celsius             |
| Relative humidity | 5% - 90% (non-condensing)         |
| Dimension         | 200mm (W) x 46mm (H) x 137 mm (D) |

