

CH-1055

Integral Access Shelf

Description

CH-1055 is an Integral Access Shelf designed to accept a mix of Olencom series rack cards. This includes FMC and FMC-T, which are fractional E1/T1 products, IM-1000, which is a 128 Kbps U interface over twisted pairs and HM-1000, which is an xDSL system carrying up to 2.048 Mbps data or E1/T1.

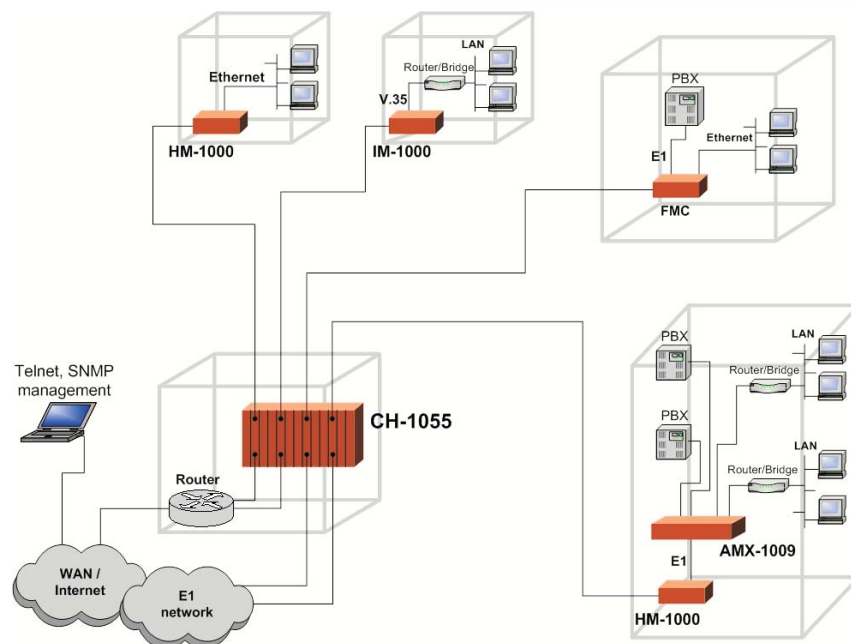
CH-1055 Integral Access Shelf supports local configuration and diagnostics using keypads and LCD display on the front panel, or from a local or remote terminal. Each rack position can be individually addressed and the type of plug-in identified. This enables users to execute in-service diagnostics and fault isolation. Using Ethernet, SLIP, SNMP, or Telnet connection on the shared controller card of the rack unit, users can remotely control and diagnose Olencom rack cards from a centralized location. In addition to commercial management systems, a graphical user interface (GUI) based network management system, Olencom View, is also available.



Features

- ✓ Space for 16 plug-in cards
 - ✓ Accepts cards of types:
 - FMC, (fractional E1 CSU/DSU)
 - HM-1000, xDSL, (272 to 2320 Kbps)
 - FMC-T, (fractional T1 CSU/DSU)
 - IM-1000, (1.2 to 128 Kbps U Interface).
 - ✓ Shared common controller card allows front panel operation
 - ✓ 2-line by 40-character LCD display
 - ✓ Ethernet port
 - ✓ Connection to SNMP and Telnet
- Compatible to Olencom View, a GUI network management system

Applications





CH-1055

Integral Access Shelf

Product Specifications

Card Types Accepted

FMC, fractional E1 CSU/DSU, N x 64 Kbps,
HM-1000, HDSL, 272 to 2320 Kbps,
GM-1000, G.SHDSL, 272 to 2320 Kbps,
FMC-T, fractional T1 CSU/DSU, N x 64 Kbps,
IM-1000, U interface, 1.2 to 128 Kbps.

Supervisory Ports on a shared Controller Card

Connector	RJ-11 at front Panel, DB25 at rear, RJ-45 at rear
Electrical Protocol	RS232, 10 Base-T Ethernet, VT-100 menu driven, SLIP, Telnet

Fans on the Shared Controller Card

Number of Fans	2
On temperature	48°C
Off temperature	33°C
Alarm temperature	58°C

Front Panel

Keypad on Controller Card	5 keys: Left arrow, Right arrow, ESC, ENTER, and ACO (Alarm Cut-Off)
LCD/LED on Controller Card	2-lines by 40 character LCD, one LED for ACO

Physical/Electrical

Dimensions 17"x 8s" x 11" (WxHxD) each rack cage can have 16 plug-in units, plus controller card

Power (DC)

24 or 48 Vdc, 5-7 watts per card. If HM-1000/GM-1000 cards with "line power source" option are plugged in, add 24 watts per card.

Note: When HM-1000 cards are inserted, power must be 48 Vdc.

Power (AC)

Input Range	85 – 265 Vac
Output Voltage	48 V ± 5%
Output Current	2.1 A Max.
Output Power	100 W Max.

Environment

Temperature	0 - 50°C
Humidity	0-95%RH (non-condensing)
Mounting	Desk-top stackable, 19/23 inch rack mountable
Number of slots	16

Compliance

FCC Part 15, UL1459