

# CH-2000 series

## IP-DSLAM

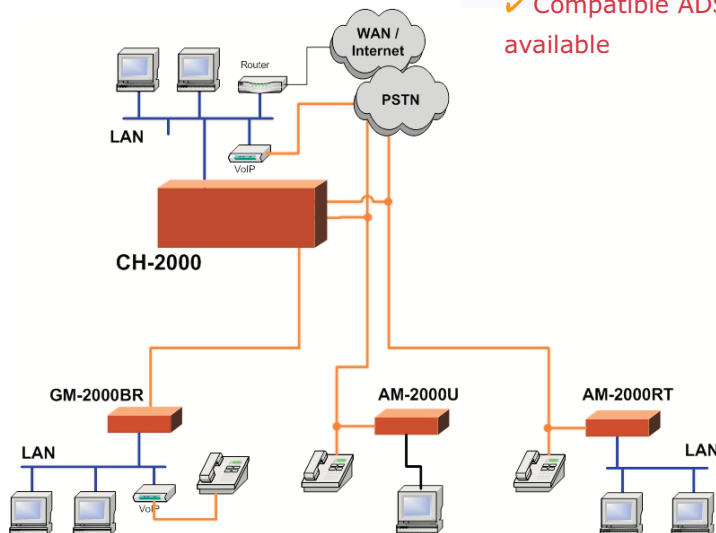
### Description

The CH-2000/CH-2020 is an IP-DSLAM designed for MTU/MDU/MHU/campus applications. It provides data access and voice service over existing copper telephone wires. With the CH-2000/CH-2020, carriers or other service providers can profitably offer high-speed Internet access or LAN connectivity to their customers. The CH-2000/1020 provides a cost-effective and scalable infrastructure to meet the requirements of a wide range with line speed up to 11 Mbps.

The 14-slot chassis CH-2000 and 5-slot chassis CH-2020 allow different interchangeable DSL channel modules, such as 8/24-port G.SHDSL, 8/24-port ADSL, to coexist in the same shelf and provides a 100/1000 Mbps WAN Ethernet port to concentrate the traffic on an IP network. This makes the CH-2000/CH-2020 a flexible solution for deployment in high-rise buildings, hospitals, communities or campuses, with capacity of up to 288 ports (CH-2000) or 72 ports (CH-2020) on each system.

The CH-2000/2020 is compatible with a wide range of Olencom's devices including ADSL modems/routers (AM-2000 series), G.SHDSL modems/routers (GM-2000 series).

### Application



### Features

- ✓ Suitable for multi-tenant-unit (MTU) and campus applications and for co-location applications in the central office
- ✓ Statistical multiplexing for over-subscription
- ✓ 100/1000 Mbps Ethernet WAN interface
- ✓ Provides POTS interface for voice service
- ✓ Shelf extension via an Ethernet bus
- ✓ Supports remote configuration of xDSL CPE
- ✓ Local management via the console port
- ✓ Supports web-based and SNMP network management
- ✓ Software upgradeable
- ✓ Full support of ATM services include UBR/CBR/VBR
- ✓ IP filtering
- ✓ IGMP snooping for multicast services
- ✓ 802.1Q VLAN
- ✓ Compatible ADSL and G.SHDSL modems/routers are available



# CH-2000 series

## IP-DSLAM

### Product Specifications

#### System

Modulation system	DMT
Composition	
CH-2000	10U high 14-slot chassis for 19" rack: 1 slot for management card 1 slot for switch card 12 slots for DSL cards
CH-2020	4U high 5-slot chassis for 19" rack: 1 slot for management card 1 slot for switch card 3 slots for DSL cards
Max. ports in standalone system	288 DSL ports (CH-2000) or 72 DSL ports (CH-2020)
Input power	-48 VDC & 100-220 VAC
Power redundant	Dual DC power input

#### Physical Interface

Uplink/WAN connection	Ethernet switch card with two built-in FE ports and two slots for optional GbE modules (one port per module): 1000Base-T 1000Base-SX 1000Base-LX
Downlink connection	24-port ADSL card 8/24-ports SHDSL card
Line rate for access loop	
ADSL link rate	up to 11 Mbps downstream, 1 Mbps upstream
G.SHDSL link rate	up to 2.3 Mbps symmetric
Ethernet for network management	1 port on management card
POTS splitter	Splitter in a separate chassis (CH-2010)

#### Feature

Max. MAC addresses to learn	10K unicast / 256 multicast MAC addresses
No. of active VLAN	600
MAC filtering (limitation of MAC addresses)	5 MAC addresses per port
IP filtering (limitation of IP addresses)	5 IP addresses per port
IGMP snooping	IGMP v1/v2
RADIUS client	yes
Broadcast storm control	yes
Rate adaptive	yes
Port monitoring	yes
Remote loopback for diagnosis	yes
Manage all daisy-chained chassis as a single system	yes
Firmware upgrade	yes

#### Standards

IEEE 802.1d Spanning Tree Algorithm	
IEEE 802.1p Priority Queuing for QoS	
IEEE 802.1q Tagged VLAN	
IEEE 802.1x Ethernet Authentication	
IEEE 802.3ab 1000 Base-T Ethernet (copper)	
IEEE 802.3ad Link Aggregation/Port Trunking	
IEEE 802.3u 100 Base-TX Ethernet	
IEEE 802.3x Flow Control	
IEEE 802.3z 1000 Base-SX/LX Ethernet (optical)	

#### Management

CLI (Command Line Interface)	yes
Telnet	yes
Web-based	yes
SNMP-based proprietary EMS	RFC-1213 (MIB II) RFC-1215 (Trap)

#### Safety

CE	yes
----	-----

#### Environmental Requirements

Operating temperature	0~50 degrees Celsius
Relative humidity	5~90 % non-condensing

