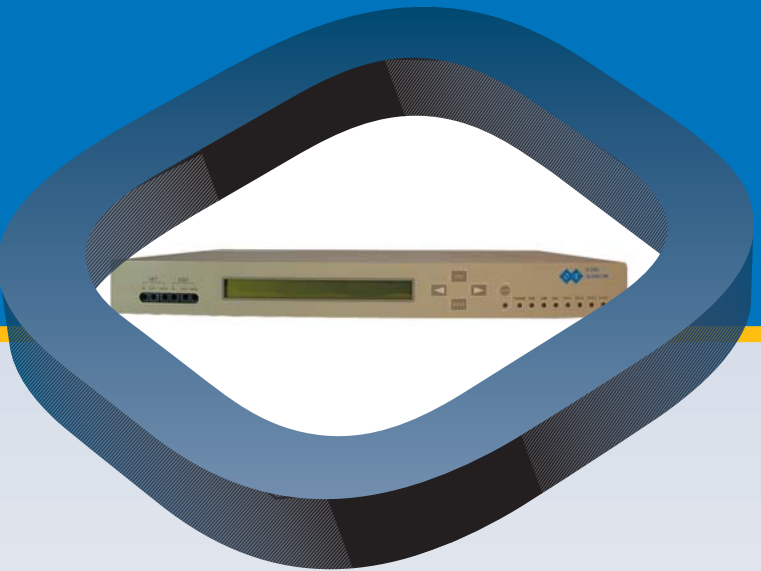


## EA-120

### Drop & Insert CSU/DSU

#### Description

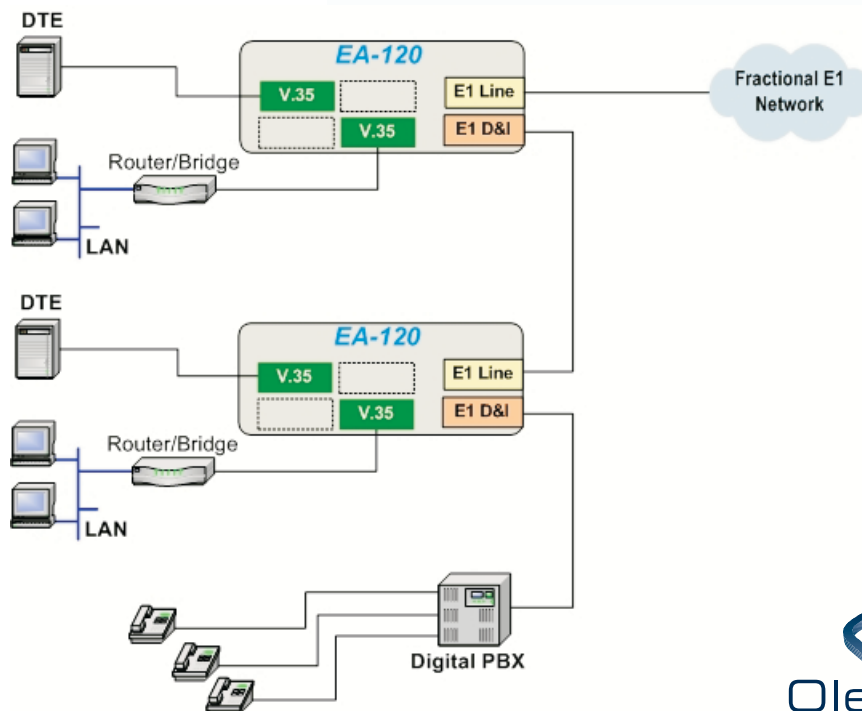
The EA-120 FE1 CSU/DSU series supports HDB3 (High Density Bipolar 3) coding and provides continuous error checking, performance polling, and in-service diagnostics. The versatile EA-120 provides up to four sets of DTE equipment operating rates from 56 to 1984 Kbps and one Drop and Insert DTE operating at E1 (2048 Kbps) to be connected directly to the E1 network services. The series enables users to interconnect LANs and WANs, CAD and CAM, video conference, mainframe hosts, etc.. EA-120 supports local control and diagnostics with 2 by 40 characters LCD display and keypads. The series enables users to configure the unit, execute in-service diagnostics, and monitor network status and availability. EA-120 FE1 CSU/DSU series also provides LED status indicators. Olencom's SNMP Network Management System allows a remote control and diagnostic of EA-120 from anywhere in the network.



#### Features

- ✓ DSU functionality integrated with an intelligent CSU
- ✓ Drop&insert capability for E1 service connection
- ✓ Olencom's SNMP Network Management Systems
- ✓ Connect LAN/WAN, CAD/CAM, or Hosts to 2 Mbps E1 Network Services
- ✓ Compliance with ITU-T G.703, G.704, G.706, G.732, G.736, G.823, ETSI ETS 300420, ETS 300419

#### Application



# EA-120

## Drop & Insert CSU/DSU

### Product Specification

#### Network Line Interface (E1 Interface)

Line Rate	2.048 Mbps $\pm$ 50 ppm
Line Code	AMI / HDB3 (selectable)
Input Signal	ITU G.703 to -26dB
Output Signal	ITU G.703
Framing	ITU G.704
Jitter	ITU G.823
Electrical	75...Coax / 120...twisted pair
Connector	BNC / RJ48C (specify on order)

#### Customer Equipment Interface

##### E1 Drop and Insert Port (optional)

Line Rate	2.048 Mbps $\pm$ 50 ppm
Framing	ITU G.704
Line Code	AMI / HDB3 (selectable)
Input Signal	ITU G.703 to -10dB
Output Signal	ITU G.703
Connector	BNC / RJ48C(specify on order)
Jitter	ITU G.823
Electrical	75...Coax / 120...twisted pair

##### DTE Data Port

Number of Ports	2 + 2 (optional) ports
Data Rate	56 or 64 Kbps .n ( n =1 - 31 )
Connector	EIA530 (DB25P), DB25P to V.35, RS449, or X.21 conversion cable (optional)

##### DS0 Mapping

Maps	Two switchable sets of DS0 maps for DTE and D&I ports
Remote Sending	Sending active DS0 maps to a remote site

#### Performance Monitor

Performance Store Last 24 hours performance in 15 minutes intervals and last 7 days in 24-hour summary line, user, D&I port, and remote site

Performance Reports Date & Time, Errored Second, Degraded Minutes, Unavailable Second, Bursty Errored Second, Severe Errored Second, and Controlled Slip Second. Also available in Statistics (%)

Alarm History Date & Time, Alarm Type (i.e. Master Clock Loss, RAI, AIS, LOS, BPV, ES, CS), and Location (i.e. line, DTE)



Alarm Queue	Maximum 40 alarm records which record the latest alarm type, location, and date & time
Threshold	Bursty Seconds, Severely Errored Second, Degraded Minutes

#### System Configuration Parameters

Active Configuration, Stored Configuration, and Default Configuration (Stored in Non-volatile Memory)

#### Diagnostics Test

Loopback	Line Loopback, Payload Loopback, Local Loopback, and DTE Loopback
Test Pattern	20 bits QRSS, 3-in-24, 1-in-8, 2-in-8, 1:1 patterns
Idle Channel	Use of idle channel to perform PRBS diagnostic test
Remote Loopback	Line Loopback, Payload Loopback, and DTE Channel Loopback

#### Front Panel and Console Port

Console Port	RS232 with VT100 terminal mode. Embedded SNMP (optional)
LCD/LED	2 lines by 40 characters LCD display, 9 status LEDs (Power, Line, D&I, DTEN, RLB, and ACO)
Keypad	4 operation keys and ACO key
Bantam	Jack 6 bantam jacks for Line and D&I port break and insert

#### Alarm Relay

Alarm Relay	Fuse alarm and performance alarm
Activation	RAI, AIS, LOS, LOF, BPV, ES, UAS, CS of line and D&I port, and DTE port alarm

#### Physical/ Electrical

Dimensions	43 x 4.5 x 30.5 cm (WxHxD)
Humidity	0-95% RH (non-condensing)
Power	-48V 450mA DC, 100-240V AC Mounting Desk-top stackable, 19/23 inch rack mountable
Temperature	0-50C Weight 7.7 lb., (3.5 kg)

#### Compliance

ETSI ETS 300420, ETS 300419 ITU G.703, G.704, G.706, G.732, G.736, G.823 Pan European CTR 12/13, CE 168X EMI/EMC EN50082-1 EN55022 Class A BABT NTR4 Safety EN41003