

VG-7204-U-SOHO Video Gateway

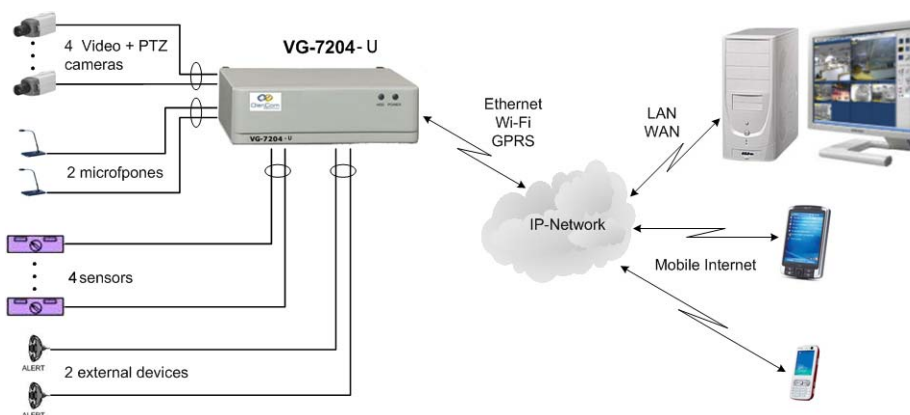
Features

- Integration of four video cameras
- Bi-directional audio support
- Integration of four input sensors; integration of an additional 16 input sensors using an expansion module
- Integration of two output activation sensors (activators)
- Integration of Pan-Tilt-Zoom (PTZ) controllers, enabling remote aiming and focusing of PTZ video cameras
- Integrated LAN connection
- Support for cellular modems (GSM and CDMA) and wireless communications (WiFi, WiMax)
- Built-in router with Ethernet connectors for connecting external IP-based devices to the network
- High-quality Digital Video Recording (DVR) capabilities on all channels
- Remote viewing of live and recorded video via PC, PDA or cellular phone
- Proprietary transcoding algorithms for video compression without significant degrading of video quality
- Transmission of high-quality video at low bit rates
- Simultaneous playing and recording of live video from all channels
- Simultaneous playing of live and recorded video
- Pre- and post-alarm video recording
- Real-time SMS and e-mail event notifications
- Software generated motion detection with adjustable threshold and regions of interest
- Quiet - no fans
- Low power consumption



Description

Superior site-monitoring and video-recording equipment in a small, cost-effective package. Ideal for residential sites and small businesses Go wireless with **VG-7204-U** security systems! Ideal for monitoring locations where cable-based network connections are not available, the **VG-7204-U** is specially designed to stream high-quality video over cellular and Wi-Fi connections. Install one in the back parking-lot of your business and you can keep an eye on the parked cars and the rear of the building – whether you're inside the building, home at night, or away on a business trip. Place one in your garage or stable, or even on a crane at a construction site, and you can keep tabs on everything that occurs there. **VG-7204-U** security systems offer all of the HVG features – live and recorded video streaming to closed-circuit monitors and off-site PCs, cellular phones, and PDAs; sensor-activated recording and notifications; two-way audio; a high-capacity hard drive for storage of recorded video; and low power consumption. To this winning combination they add wireless networking support to create a complete security system suitable for any location.



Specification

VG-7204-U Series Specification

MODEL	VG 7204-U
VIDEO INPUT	
Standard	PAL / NTSC
No. of Channels	4
Resolution	640x480 (VGA), 320x240 (QVGA), 160x120 (QSIF)
Video Compression	MPEG 4 up to 160 QVGA frames per second
Compressed Data Rates	9 kbps to 4 Mbps, user configurable
PTZ Control	
PTZ Control	2 ports; 1 RS-232 port, 1 RS-485 port
PTZ Protocol	Most common protocols
Audio Channels	2 inputs: 1 active microphone, 1 passive microphone 2 outputs: 1 internal built-in speaker, 1 external connector Bi-directional audio support
VIDEO OUTPUT	
Standard	PAL / NTSC
User Interface	Supplied PS/2 mouse Optional touch screen (supported models only)
COMMUNICATION	
Network connectivity	Built-in 10/100 Base-T Ethernet suitable for cable/xDSL Dual USB interface slot for cellular (GPRS/CDMA/UMTS/EDGE/HSDPA) and wireless (Wi-Fi/Wi-Max) modems
Maintenance	Web-based configuration
External Network Support	Custom proxy for remote access and video streaming Dynamic DNS support – No-IP, DynDNS, SVDNS (free use of Servision's SVDNS server is available)
RECORDING	
Mode	Continuous, event-driven or scheduled
HD Type	IDE interface: option for an IDE flash disk
HD Size	Default: 3.5", 160GB, up to 500GB (optional)
EVENT HANDLING	
Storage	3.3GB per day per channel @ 15fps/320kbps QVGA continuous recording
Event Type	External sensor input, video motion detection, video loss
Action Type	Local recording, client notification, SMS, email notification, external activator, AVV (Alarm Video Verification)
Motion Detection	Threshold control, area of interest, exclude areas
I/O	
Input Channels	4 opto-isolated inputs Optional external sensor hub for up to 16 additional inputs
Output Channels	2 opto-isolated activators
POWER	
Voltage Input	12V DC
Max. Power Consumption	15W
OPERATING ENVIRONMENT	
Ambient Temperature	0°C - 45°C; 32 °F - 113 °F
Relative Humidity	< 85% (no condensation)
MECHANICAL DESIGN	
Dimension (mm)	185(W) x 181(D) x 76(H) mm; 7.2"(W) x 7.1"(D) x 2.9"(H)
Weight (kg)	2.1(kg), 4.6(lbs)
CLIENT SOFTWARE	
	Proprietary software for PC, Web server, PDA & cellphone
	Snapshot over web

Olencom Electronics (1994) Ltd.
 Yokneam Industrial Park, P.O.B 596 Yokneam Illit 20692, Israel.
 Tel: +972-4-9894669, Fax: +972-4-9894670
 Web Site: [www.olencom.com](http://www olencom.com) , E-mail: sales@olencom.com