



# VG-7204 - SOHO Video Gateway



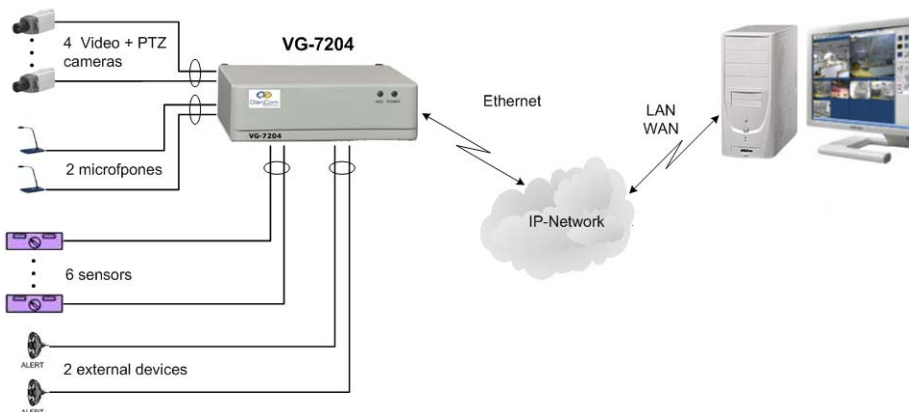
## Description

Superior site-monitoring and video-recording equipment in a small, cost-effective package. Ideal for residential sites and small businesses. Secure your home or office with **Olencom** high-performance **VG** security systems. Specially designed for small businesses and residential sites, the **VG-7204** can transmit and record video from up to four cameras simultaneously. Live and recorded video can be viewed on-site via a closed-circuit TV screen or off-site via PC, PDA, or cellular phone. **Olencom** innovative video compression technologies deliver high-quality video over narrow-bandwidth connections so even cellular phones can receive clear, smooth video from an **VG-7204**.

Sensors can help keep you posted about what's happening on-site when you are not there. Video motion detection (VMD) sensors are built into the unit, so intruders can be detected immediately. In addition, external sensors – smoke detectors, light sensors, window or door sensors, etc. – can be connected to each **VG-7204** unit. The unit can notify you via e-mail or SMS when any of the sensors is activated. Sensors can also turn on video recording, aim cameras at locations of interest, and activate alarms and other devices. The **VG-7204** features two-way live audio transmission that lets people off-site speak to those on-site in real-time. Its built-in hard drive can store weeks' worth of video so you can view events long after they take place. Low power consumption and a small footprint enhance the appeal of this reliable and versatile security machine.

## Features

- Integration of four video cameras
- Bi-directional audio support
- Integration of six input sensors; integration of an additional 16 input sensors using an expansion module
- Integration of two output activation sensors (activators)
- Integration of Pan-Tilt-Zoom (PTZ) controllers, enabling remote aiming and focusing of PTZ video cameras
- Integrated LAN connection
- High-quality Digital Video Recording (DVR) capabilities on all channels
- Remote viewing of live and recorded video via PC, PDA or cellular phone
- Proprietary transcoding algorithms for video compression without significant degrading of video quality
- Transmission of high-quality video at low bit rates
- Simultaneous playing of live and recorded video
- Pre- and post-alarm video recording
- Real-time SMS and e-mail event notifications
- Software generated motion detection with adjustable threshold and regions of interest
- Quiet - no fans
- Low power consumption



## Specification

### VG-7204 Series Specification

MODEL	VG 7204
<b>VIDEO INPUT</b>	
Standard	PAL / NTSC
No. of Channels	4
Resolution	640x480 (VGA), 320x240 (QVGA), 160x120 (QSIF)
Video Compression	MPEG 4 up to 160 QVGA frames per second
Compressed Data Rates	9 kbps to 4 Mbps, user configurable
PTZ Control	2 ports; 1 RS-232 port, 1 RS-485 port
PTZ Protocol	Most common protocols
Audio Channels	2 inputs: 1 active microphone, 1 passive microphone 2 outputs: 1 internal built-in speaker, 1 external connector & bi-directional audio support
<b>VIDEO OUTPUT</b>	
Standard	PAL / NTSC
User Interface	Supplied PS/2 mouse Optional touch screen (supported models only)
<b>COMMUNICATION</b>	
Network connectivity	Built-in 10/100 Base-T Ethernet suitable for cable/xDSL
Maintenance	Web-based configuration
External Network Support	Custom proxy for remote access and video streaming Dynamic DNS support – No-IP, DynDNS, SVDNS (free use of Servision's SVDNS server is available)
<b>RECORDING</b>	
Mode	Continuous, event-driven or scheduled
HD Type	IDE interface: option for an IDE flash disk
HD Size	Default: 3.5", 160GB, up to 500GB (optional)
<b>EVENT HANDLING</b>	
Storage	3.3GB per day per channel @ 15fps/320kbps QVGA continuous recording
Event Type	External sensor input, video motion detection, video loss
Action Type	Local recording, client notification, SMS, email notification, external activator, AVV (Alarm Video Verification)
Motion Detection	Threshold control, area of interest, exclude areas
<b>I/O</b>	
Input Channels	6 opto-isolated inputs Optional external sensor hub for up to 16 additional inputs
Output Channels	2 opto-isolated activators
<b>POWER</b>	
Voltage Input	12V DC
Max. Power Consumption	12W
<b>OPERATING ENVIRONMENT</b>	
Ambient Temperature	0°C - 45°C; 32 °F - 113 °F
Relative Humidity	< 85% (no condensation)
<b>MECHANICAL DESIGN</b>	
Dimension (mm)	185(W) x 181(D) x 60(H) mm; 7.2"(W) x 7.1"(D) x 2.3"(H)
Weight (kg)	1.7(kg), 3.7(lbs)
<b>CLIENT SOFTWARE</b>	
	Proprietary software for PC, Web server, PDA & cellphone
	Snapshot over web

Olencom Electronics (1994) Ltd.  
 Yokneam Industrial Park, P.O.B 596 Yokneam Illit 20692, Israel.  
 Tel: +972-4-9894669, Fax: +972-4-9894670  
 Web Site: [www.olencom.com](http://www.olencom.com) , E-mail: [sales@olencom.com](mailto:sales@olencom.com)